

Skylink UV transmitter

UV-Index measurement station and network computer



▶ GENERAL FEATURES



Properties of this product

The Skylink UV transmitter is a UV-Index measurement station consisting of an sglux sensor probe UV-Cosine_UVI and a network computer which converts the sensor signal into a web graph and transmits this graph to one or multiple webpages via LAN or WiFi.

▶ GETTING STARTED

The measurement box must be placed inside a dry and clean area. It needs an AC power-supply (IEC connector) and a LAN-connection for internet access. The sensor box is for outdoor use and should be placed on even ground in direct irradiation to the sun (no shadows). The sensor cable is UV-resistant and suitable for outdoor use.

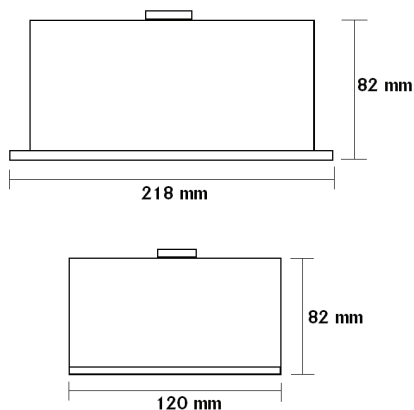
The measurement box stores the UVI measurement values in a database in 5 second step and generates graphs every 2 minutes. The data can be stored directly to a network-storage or can be send via email. An FTP-upload is possible. The system is based on a Linux-PC with pre-installed measurement software. User can add software and programmes and can configure the system. Access to the system environment is possible via SSH or Windows-Remotedesktop.

The sglux after-sales team is happy to guide through the installation and configuration process to ensure proper function at customer's site. This is a free service.

We offer price reduction in case of the customer is willing to share the UV Index values with our server. This would help us pursuing our goal to establish a global UV Index network.

▶ DIMENSIONS

Sensor box



Control unit

